

ABOUT US

As a full-service supplier, Hyperion Optics has a rich history in optical engineering and manufacturing. Established in 2008, Hyperion has grown into a team of 50, comprised of the industry's leading optical & mechanical engineers, assembly technicians, production staff, and quality management.

We work with companies on prototyping projects to launching commercial products. We specialize in **DFM/DFA (Design for Manufacturability / Assembly)** to optimize cost-performance ratio.

Hyperion is committed to high-quality optics and equally high-quality customer experience. We do so by operating with structure and procedures while thinking creatively like a startup with nimbleness and innovation.

Experience the Hyperion difference and let us help you tackle your next optical challenge.



CONTACT US

Hyperion Optics USA

1981 Route 27, Suite 204
Edison, New Jersey 08817

Tel. +1 (908) 899-1918

Email rfq-us@hypooptics.com

Hyperion Optics China

Danjie Road #100, DanYang, China
BaoXiang Road #6, Nanjing, China

Tel. +86-25-83307137

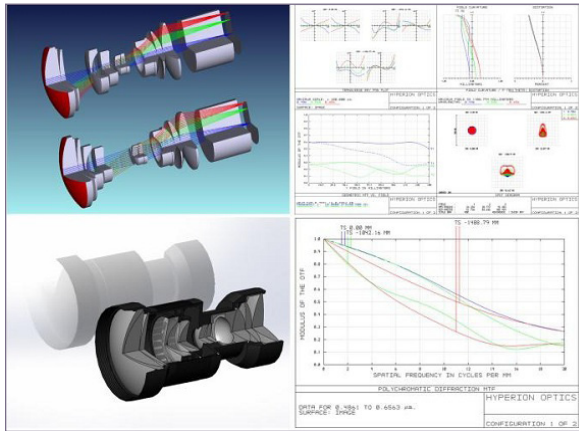
Email rfq@hypooptics.com



Your Optical Goals, Realized.

Hyperion helps companies build lens assemblies in a wide range of imaging and technological applications. We specialize in complex, high-resolution, diffraction-limited optical assemblies.

By integrating engineering expertise with production experience, we build solutions that are scalable and meet your desired optical performance.



Our Custom Lens Design & Assembly Services Include:

- Custom Optical & Optomechanical Design
- Feasibility Study / Proof of Concept
- Tolerance Analysis
- Design Optimization
- Lens Performance Testing
- Acceptance Criteria Definition



Unique Working Wavelength

Hyperion's manufacturing capabilities span across the spectrum. From **UV, VIS, to IR**, we fabricate custom optical components that meet unique and specialized application requirements.

Hyperion's 4-axis SPDT machine can accurately CNC complex aspherical and free-form optics. Our in-house coating chamber can achieve custom **BBAR, AR, and HR coatings**. Our quick turnaround – 2 weeks on a spherical lens – is a compelling advantage for **Low Rate Initial Production (LRIP) projects**.

Materials Capabilities:

- Glass: CDGM, NGH, Ohara, Schott
- IR Materials: Si, Ge, ZnS, ZnSe, CaF₂, Chalcogenide, and more
- UV Materials: Fused Silica, Sapphire, CaF₂



Challenging Applications, No Problem.

Hyperion has completed countless design challenges in unique and complex applications. Our success lies in the effort to thoroughly understand your use case.

Pre-production, our engineers dive into your performance requirements, to assess the design with knowledge, generate accurate simulation, and integrate meaningful insights into the manufacturing process.

Clients across the industries partner with Hyperion to meet & drive new market demands:

- Aerospace
- Biomedical Imaging
- Defense & Military
- Cinematography
- Commercial Sensing
- Machine Vision
- Motion Capture
- Spectroscopy, and More

METROLOGY is a serious matter.

Hyperion employs quantitative measuring devices along every step of production to monitor and safeguard quality.

A Worry-Free Procurement Experience

Every specification on print is 100% tested. Customized testing is available upon request, such as material index and dispersion testing.

We look forward to learning about your design challenges and bringing your vision to reality.